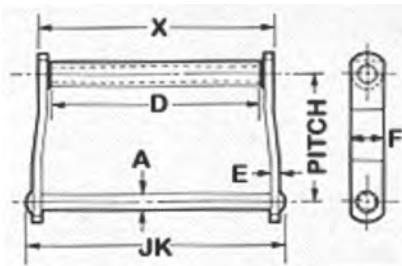
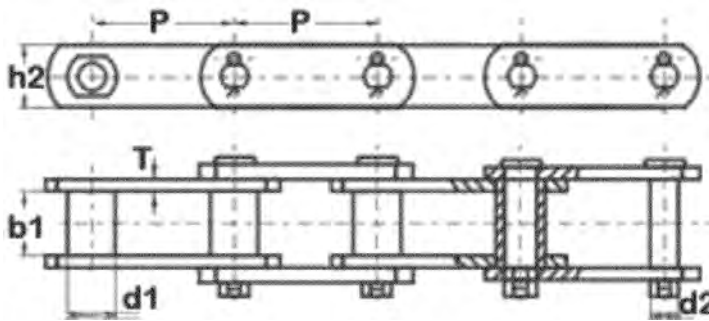


Drag Chain



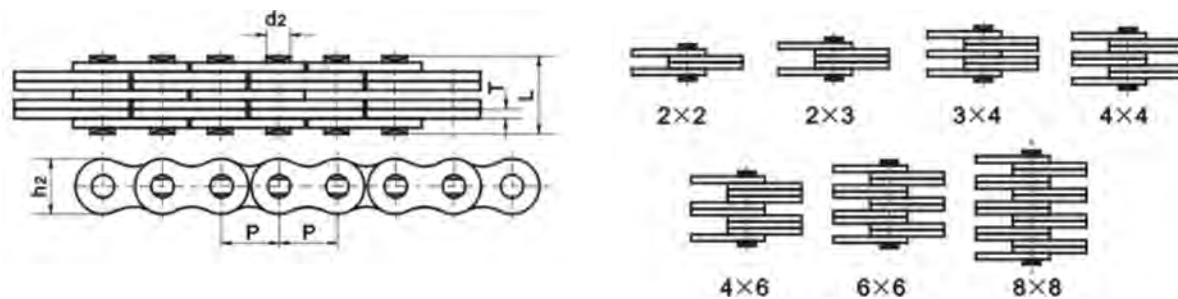
Chain	Pitch mm	Pitch inch	JK	X	A	E	D	F	Rated Working Load Lbs	A.T.S Lbs	App Kg/ft
WD110	152.40	6	301.62	263.52	19.05	9.52	228.60	38.10	8,500	51,000	5.46

Engineering Steel Bushing Chain



Chain	Pitch mm	Pitch inch	b1	d1	d2	h2	T	U.T.S KN	A.T.S KN
S131	78.10	3	31.7	32.5	15.88	39.6	9.7	160	192.00
S188	66.27	2.5	25.6	22.4	12.70	30.0	6.4	102	122.40

Leaf Chain



Chain	Pitch	Lacing	h2	T	d2	L	UTS KN	ATS KN	Kg/ft
BL523	15.88	2x3	15.09	2.44	5.96	17.42			
BL534	15.88	3x4	15.09	2.44	5.96	20.20	48.9	63.6	0.49
BL623	19.05	2x3	18.11	3.3	7.94	22.2			
BL634	19.05	3x4	18.11	3.30	7.94	27.43	75.6	102.6	0.76
BL646	19.05	4x6	18.11	3.3	7.94	37.67			
BL822	25.40	2x2	24.13	4.09	9.54	23.41			
BL823	25.40	2x3	24.13	4.09	9.54	27.85			
BL834	25.40	3x4	24.13	4.09	9.54	33.76	129.0	143.6	1.15
BL846	25.40	4x6	24.13	4.09	9.54	48.35			